

*A1800w Robot Palletizer*



**okura**

**DAEDO**



# ***A1800w Heavy Duty Robot Palletizer***

*Ultra High Loading Capacity*

*High Speed*

*Wide Operation Range*

*Low Noise Level*

*Energy Efficient*

*Environmentally Friendly*

# A1800w Robot Palletizer

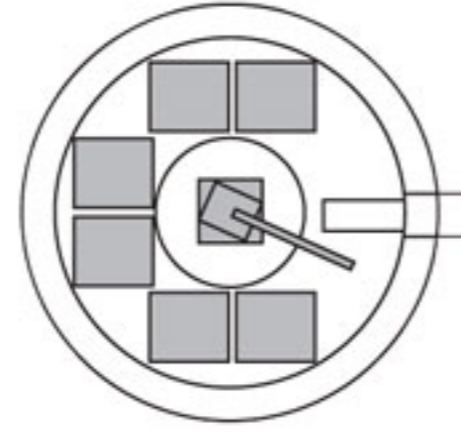


## Heavy Loads At High Speed

The rigidity of the robot arm was improved with the latest technology. As a result, a maximum load capacity of **350kg** can be achieved.

## Palletizing to Max of 6 Pallets

With up to **360°** of movement on its rotational axis, a single A1800W can palletize to a maximum of **6 pallets**.



## Safety

The A1800W includes the new "Collision Detection" feature. Sensors on the robot arm detect minor impacts on the end effector & stop the system immediately. It enhances the safety aspects of the robot palletizer system immensely.

## Energy Saving & Low Noise Design

A self-developed control mechanism is utilized to attain higher power & speed, while maintaining the same level of power consumption.

## Environmentally Friendly

Our robot's components comply to stringent environmental standards & are environmentally friendly.

## Robot Controller - Improved Safety & User Friendliness



### Touch Screen

A large & full colour LCD touch panel enables easy operation.

### Compact

Our servo amp (self developed) is compact & consumes minimal energy.

### Real Time Monitoring

The control panel can be connected to any Local Area Network (LAN) for monitoring of the robot status in real time (optional).

### Teaching Flexibility

Our application software "OXPA-Qm2" is easy & fast to use to create palletizing programs for a wide range of products.

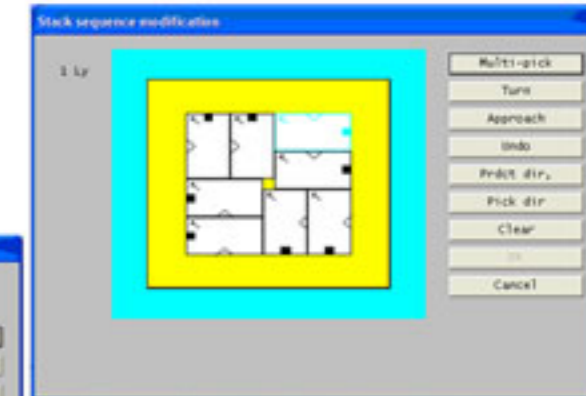
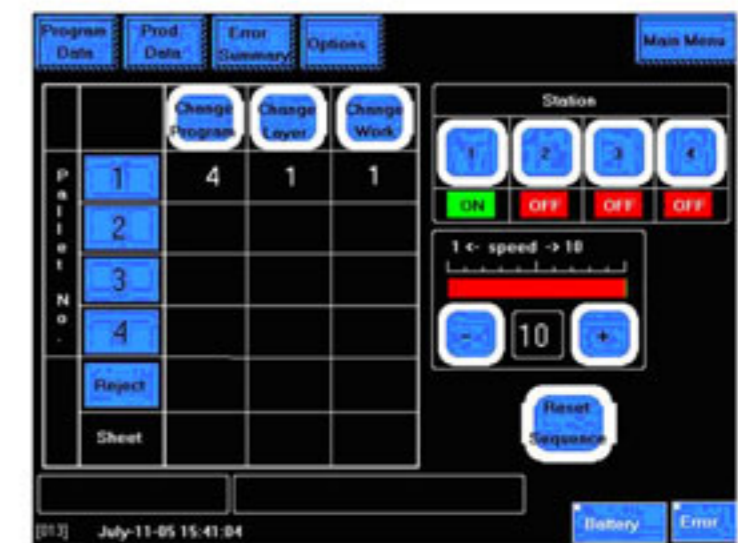
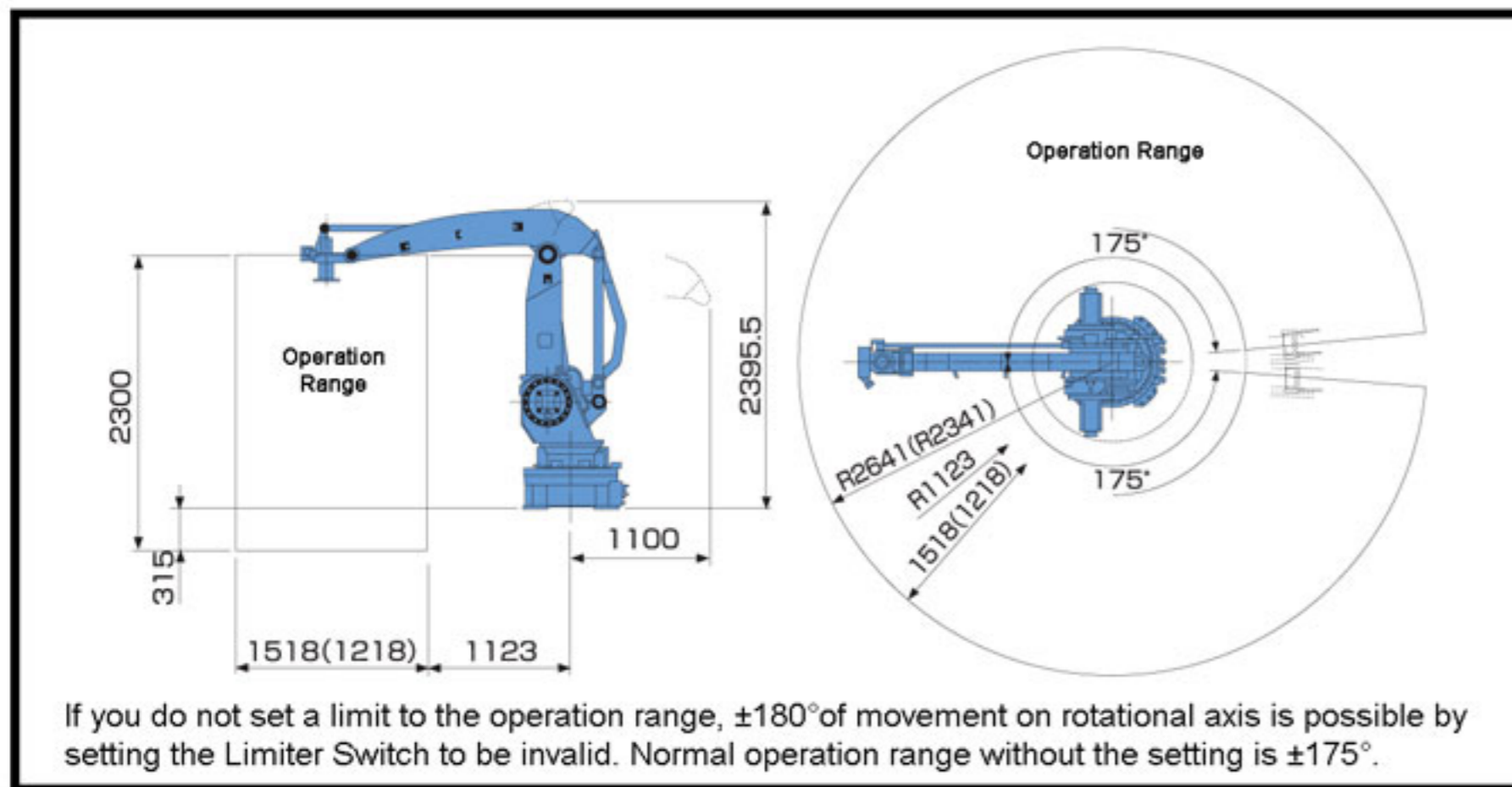


Image shown is JIS version. CE version of the control panel is also available.

## Robot Dimensions



Design & specifications of the product are subject to change without notice.

## Robot Specifications

<b>Load Capacity</b>	350 Kg (Includes weight of end effector)
<b>Operation Range</b>	4 axes (R, O, D, T axes) R axes 360°      D axes 2300 mm O axes 1518 mm      T axes 440°
<b>Palletizing Rate</b>	500 cycles/hour Max*
<b>Accuracy</b>	Repeated stop position accuracy $\pm 1$ mm
<b>Robot Weight</b>	1300 Kg
<b>Pneumatic Consumption</b>	180 $\ell$ /min (ANR)
<b>Ambient Temperature</b>	0-40°C
<b>Relative Humidity</b>	35-85%
<b>Power</b>	AC200V (Triple-phase) $\pm 5\%$ 6.5kVA + Peripheral Conveyors

\*Above handling rate is based on standard end effectors. Handling rate varies, depending on layout, multi-gripping & other conditions.

## Japan

Okura Yusoki Co. Ltd  
900 Furuouchi Noguchi-cho Kakogawa Hyogo Japan 675-8675  
Tel: +81 794 26 1009 Fax: +81 794 26 1184  
Email: admin@okurayusoki.co.jp Website: www.okurayusoki.co.jp

## Singapore

Okura Flexible Automation Systems Pte Ltd (OFAS)  
211 Henderson Road #08-04 Henderson Industrial Park Singapore 159552  
Tel: +65 6276 1711 Fax: +65 6276 7211  
Email: sales@okura-sing.com.sg Website: www.okura.com.sg

## Malaysia

3A-D, Jalan USJ 10/1A, Pusat Perniagaan USJ 10,  
47610 UEP Subang Jaya, Selangor Darul Ehsan, Malaysia  
Tel: +60 3 8023 6381 Fax: +60 3 8023 6390  
Email: okura@tm.net.my

## China

Okura Flexible Automation Systems (Shanghai) Co., Ltd (OFAS)  
Room 1804, Yundu Hongqiao Tower, No. 930, Zhongshan (West) Rd,  
Shanghai, P.R. China, P.C. 200551  
Tel: +86 21 6275 9825 Fax: +86 21 6275 9826  
Email: admn@okura-sha.com.cn

## Europe

Okura Yusoki Co. Ltd (Europe Representative Office)  
Merwedeweg 7A 3621 LP Breukelen The Netherlands  
Tel: +31 346 252 360 Fax: +31 346 261 005  
Email: okura.yusoki@planet.nl